

Terminator ECM™

Electronic Control Module

Product Specifications

Product Reference Legend . . .

ECM-CL-32-P-XP-DP

Control Type

C = Controller
L* = Limiter
CL = Controller and Limiter

Comm. Network

0* = None
1 = RS485
2* = CAN-Bus
3* = 4-20mA

Nominal Voltage Range

1* = 120 Vac
2 = 240 Vac

Note: * = Optional

Switch Configuration

SP = Single Pole
DP* = Double Pole

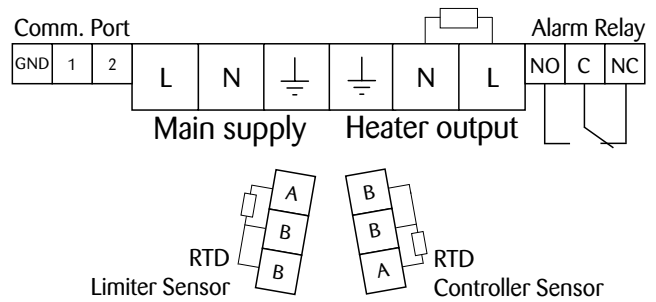
Mounting Options

XP = Pipe-Mount Expediter
WP = Wall Mount Bracket with Expediter
OS = Stainless Steel JB

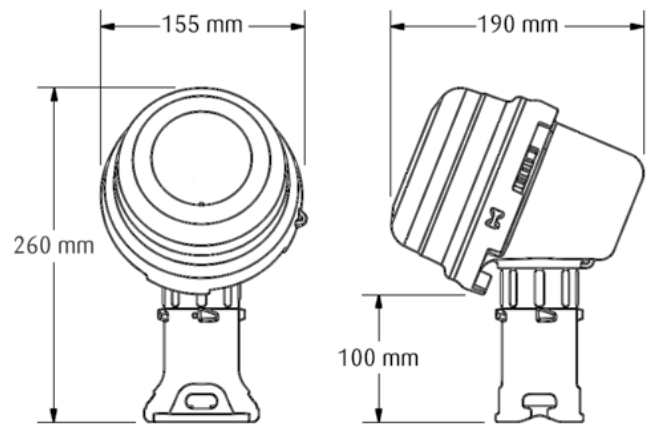
Cable Profile

P = RSX, VSX, BSX, KSX, HTSX, FP, HPT
R = TESH
MI = MIS, MIQ
M = TEK

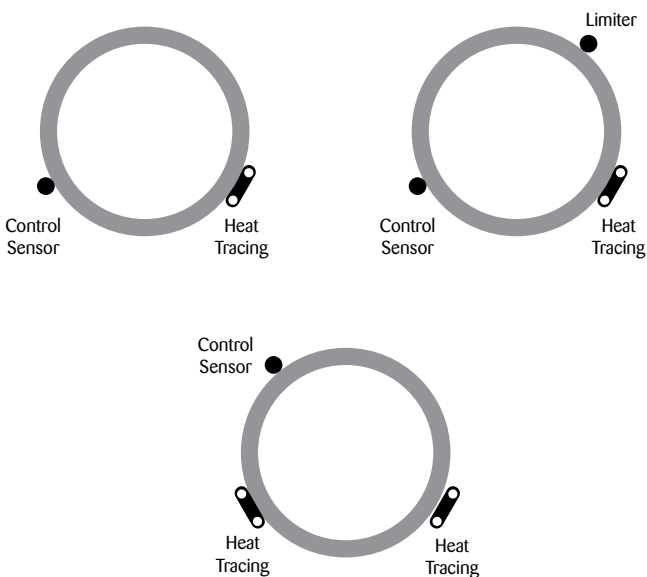
Typical Wiring Diagram . . .



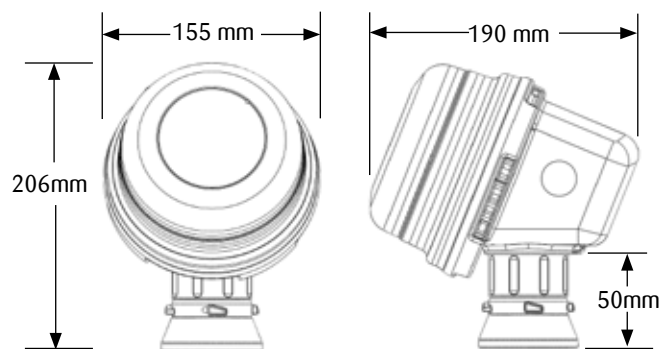
Terminator with Pipe Mounted Expediter . . .



Heating Cable vs. Controller/Limiter Sensor Placement¹ . . .



Terminator with Wall Mounted Expediter . . .



Notes . . .

1. When limiting the heat trace sheath temperature in a controlled design approach, it is recommended that the limiter sensor be installed on the heated surface as shown. Based on the limiter set point chosen, refer to CompuTrace for maximum sheath temperature. If locating the limiter sensor directly on the heat trace or in some other manner, additional offsets in the limiter set point are required to properly limit the maximum sheath temperature. Contact Thermon for details.

ECM-OS with Stainless Steel Junction Box . . .

