

A.T.X.[®] PRE Series 63 Amp Plugs and Sockets

Increased Safety



Zone 1 and 2 - 21 and 22
 Ex II 2 GD
 ATEX / IECEx
 IP66 – IK10

Applications

- Plugs and sockets are used with stationary or portable electrically operated devices such as:
 - Welding devices
 - Lighting systems
 - Conveyors
 - Heaters
 - Motor generator sets
 - Air conditionings
 - Compressors
 - Pumps
- For use in corrosive atmospheres and installations in Zones 1, 2 and 21 and 22 of oil and gas industry, such as
 - Refineries
 - Chemical and petrochemical plants
 - Pipelines
 - Onshore and offshore drilling platforms



Plug

Wall Mounting Socket

Features

- Positive polarization: only ATX plugs of same style, number of poles and ampere rating may be used with these sockets.
- Interlocked 3-pole or 4-pole Ex de disconnecting on-load switch, with auxiliary early break contact (capacity 0.004 in 2.5 mm² max). ^{2/}
- Plug is mechanically locked in socket when switch is ON.
- Switch operating handle can be padlocked in OFF position (max 4 padlocks).
- Plug cannot be inserted or removed unless switch is in OFF position.



Wall Mounting Socket Through-Wired

Standard Materials

- Socket: high impact resistance fiberglass reinforced polyester.
- Flap cover and plug: polyamide

Certifications and Compliances

- Certification Type PC63X
- Gas: Zones 1 and 2
 - Conforming to ATEX 94/9/CE: CE 0081 Ex II 2 G ≤ Ta ≤
 - ATEX/IEC Protection: Ex de IIC
 - T-Rating: T6 for Ta ≤ +104 °F/+40°C and 5 for +40°C +131 °F/+55 °C
- Dust: Zones 21 and 22
 - Conforming to ATEX 94/9/CE: CE 0081 Ex II 2 D
 - ATEX/IEC Protection: Ex tD A21
 - Surface Temperature: T194 °F/T90 °C
- Service Temperature: -22 °F/-30 °C to +131 °F/+55 °C
- CE Declaration of Conformity: 50208
- ATEX Certificate: LCIE 02 ATEX 6004
- IECEx Certificate: IECEx LCIE 13.0010
- Other Certifications: GOST
- Ingress Protection (solid and liquid): IP66
- Impact Resistance (shock): IK10
- Ex Standards: EN/IEC 60079-0; 60079-1, 60079-7; 61241-0, 61241-1
- Product Standards: EN/IEC 60309-1, 60309-2
- Other Standards: EN/IEC 60529 (IP), 62262 (IK)

63 Amps		
Main Contacts		
Rated Insulation Voltage	690 Vac	
Rated Operating Voltage	690 Vac	
Rated Operating Current	63 Amp	
Rated Surge Voltage	6 KV	
Switching Capacity		
AC 21 A / AC 22 A	63 Amp	230 Volt to 690 Volt
	15 kW	230 Volt
	22 kW	400 Volt
AC 23 A	30 kW	500 Volt
	18.5 kW	690 Volt
	11 kW	230 Volt
	18.5 kW	400 Volt
AC 3	22 kW	500 Volt
	15 KW	690 Volt
DC 21	-	
DC 22	-	
DC 23	-	
Auxiliary Contacts		
Rated Insulation Voltage	400 Volt	
Rated Operating Voltage	400 Volt	
Rated Operating Current	10 Amp	
Switching Capacity: AC 15	6 Amp	230 Volt
	4 Amp	400 Volt
Others		
Termination (flexible/solid)	0.002 in ² / 35 mm ²	

A.T.X.[®] PRE Series 63 Amp Plugs and Sockets

Increased Safety



Zone 1 and 2 - 21 and 22
 II 2 GD
 ATEX / IECEx
 IP66 – IK10



Wall Mounting Socket

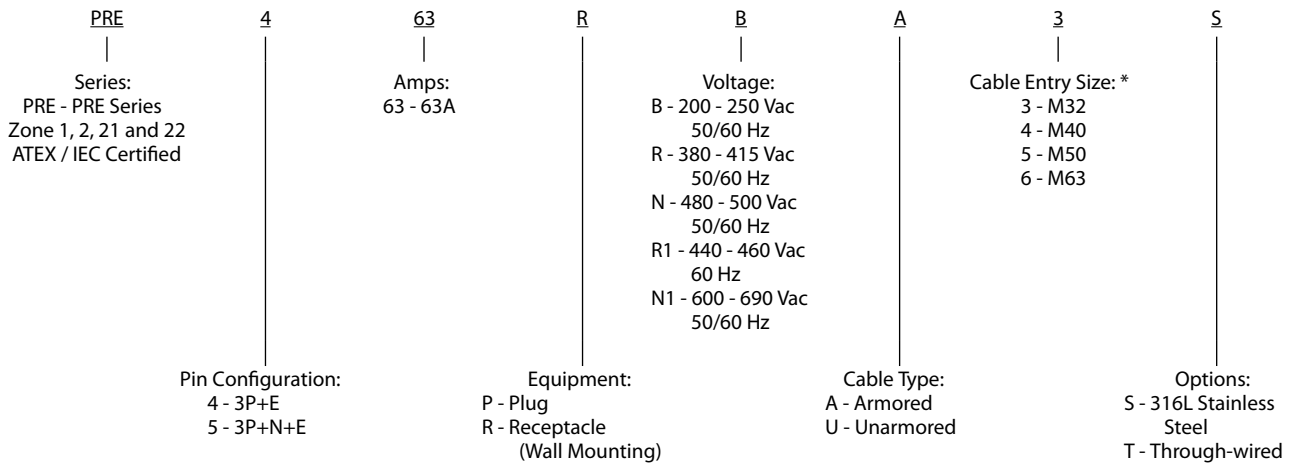
- Standard versions:
 - Supplied with one M50 cable gland for unarmored cable Ø 1.10 to Ø 1.65" / Ø 28 to Ø 42 mm, and one M25 blanking plug.
 - Terminal capacity 0.002 x 0.054 in² / 1 x 35 mm².
- Through-wired versions:
 - Supplied with two M50 cable glands for unarmored cable Ø 1.10 to Ø 1.65" / Ø 28 to Ø 42 mm, and one M25 blanking plug.
 - Terminal capacity 0.003 x 0.054 in² / 2 x 35 mm².



Plug

- One integrated cable entry for unarmored flexible cable
 - Ø 0.69 to Ø 1.14" / Ø 17.5 to Ø 29 mm for 3P + E versions.
 - Ø 0.69 to Ø 1.26" / Ø 17.5 to Ø 32 mm for 3P + N + E versions.
- Terminals capacity 0.025 in² / 16 mm².

Catalog Numbering Guide



LV: Low Voltage

Blue	Red	Black	Red 1	Black 1
200/250 Vac	380/415 Vac	480/500 Vac	440/460 Vac	600/690 Vac

* With one M5 plugged entry.

Dimensions

Standard Version

